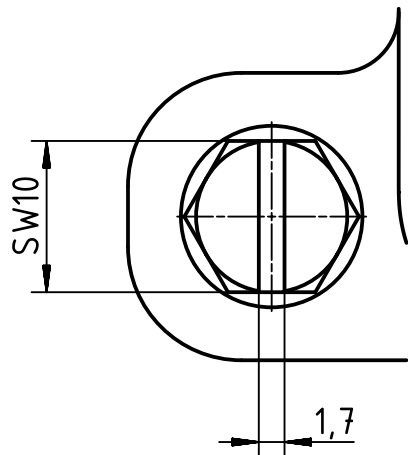



A (2:1)



	All rights reserved		Scale 1:2		Free size tol.		Ref.		
	Department EL PD		Created by HELLMANN		Inspected by GERB		Sub.		
HARTING Electric GmbH & Co. KG		Title Han 10HPR-gs-SV-M25		Standardisation RUETERA		Date 2018-11-27		State Final Release	
D-32339 Espelkamp		Type TB		Number 19 40 010 0511		Doc-Key / ECM-Nr. 100208111/UGD/004/B 500000143270		Rev. B Page 1/1	